



PLANAR PS5551

The Planar PS5551 is a 55" professional LCD display delivering a full set of commercial-grade features with all the energy efficiency and design benefits of LED backlighting. The Planar PS5551's ultra-thin, lightweight design offers multiple connectivity options, low power consumption, and superior visual performance ideal for public signage and corporate applications that demand 24x7 reliability. The Planar PS5551 also provides full HD 1080p resolution with advanced features such as automatic/manual backlight control, video wall support, and RS-232 control. For added protection, the metal bezel improves durability and reduces heat load on the LCD. The Planar PS5551 is the ideal combination of value, performance, and reliability with the design and cost benefits of LED technology.



FEATURES

Ultra-thin, lightweight and eco-friendly

Comprehensive set of data and video inputs

Durable metal bezel

Landscape and portrait orientation support

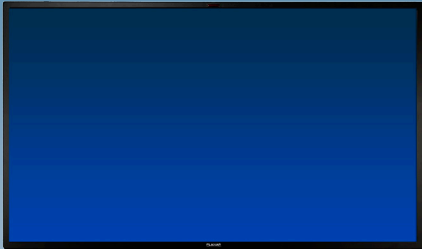
Wide range of advanced features for professional applications

Designed for commercial applications operating up to 24x7

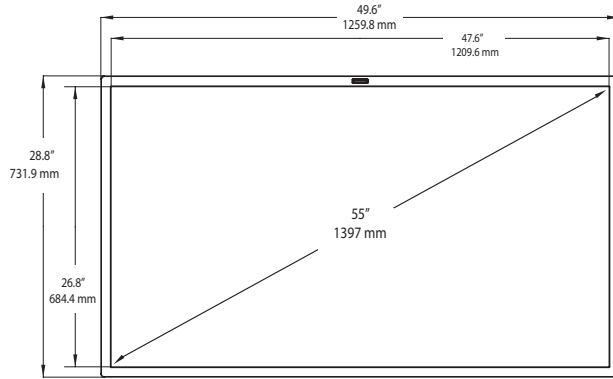
PLANAR PS5551

Display resolution	FHD 1080p (1920x1080)
Aspect ratio	16:9
Display type	LCD Active Matrix Flat Panel Display (TFT)
Viewable size	55" diagonal
Cabinet dimensions (WxHxD)	49.6" x 28.8" x 2.3" (1259.8mm x 731.9mm x 59.0mm)
Bezel width	1.0" (24mm)
Brightness (typical)	450 cd/m ²
Response time (typical)	12 ms
Frame rate	120Hz
Contrast ratio (typical)	1300:1
Full viewing angle	178°
Color gamut	72% NTSC
Display weight	59 lbs (27 kg)
Shipping weight	73 lbs (33 kg)
Backlight type	Edge-Lit LED
Line voltage	100 - 240V; 50/60Hz
Power consumption (max)	185W
Ambient noise	Fanless
Operating temperature range	0-40°C (32 -104°F)
Operating humidity range	10-90% RH non-condensing
Safety regulations	FCC Class A, UL, CE
Inputs	HDMI, DVI, VGA, Composite Video, Component Video, S-Video
Audio input	Phone jack and L/R RCA jack
Audio output	RCA jack, external speaker connector (10Wx2)
Display control	RS-232C in/out, IR Remote Control, Keypad
Auto brightness control	Ambient light sensor
Enclosure	Metal, industrial
Display orientation	Landscape/Portrait
Mounting	VESA: 200x400mm; 4 holes PC Mounting: 100x200mm; 6 holes
Backlight life (1/2 brightness)	50,000 hours
Features	Video wall support up to 10x10 configuration, on/off scheduling, picture in picture (PIP), TAA compliant
Optional accessories	Flat wall mount, tilting wall mount, table stand
Warranty	3-year, 2-day advance replacement

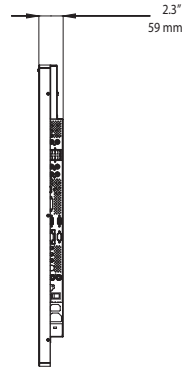
PLANAR PS5551



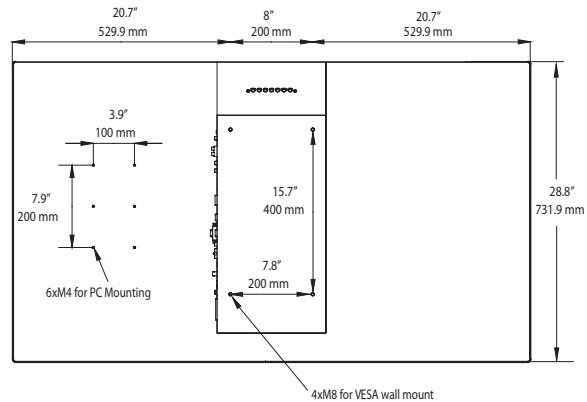
front



side



back



For more information

To learn more about the Planar PS5551 by Planar Systems, call 503-748-1100 or visit www.planardigitalsignage.com.

Standard inputs

